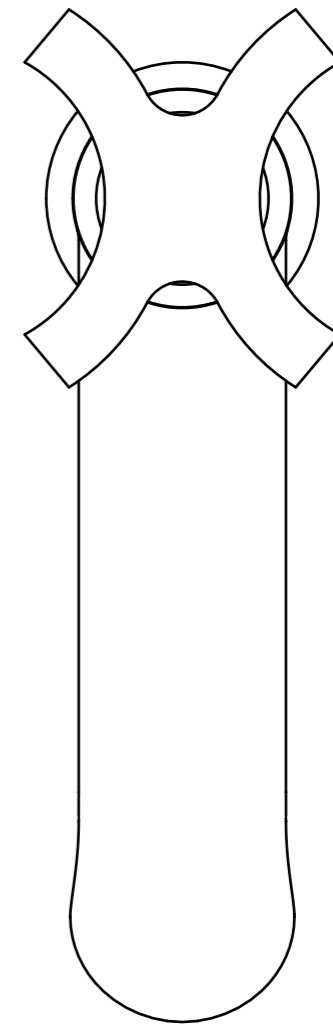
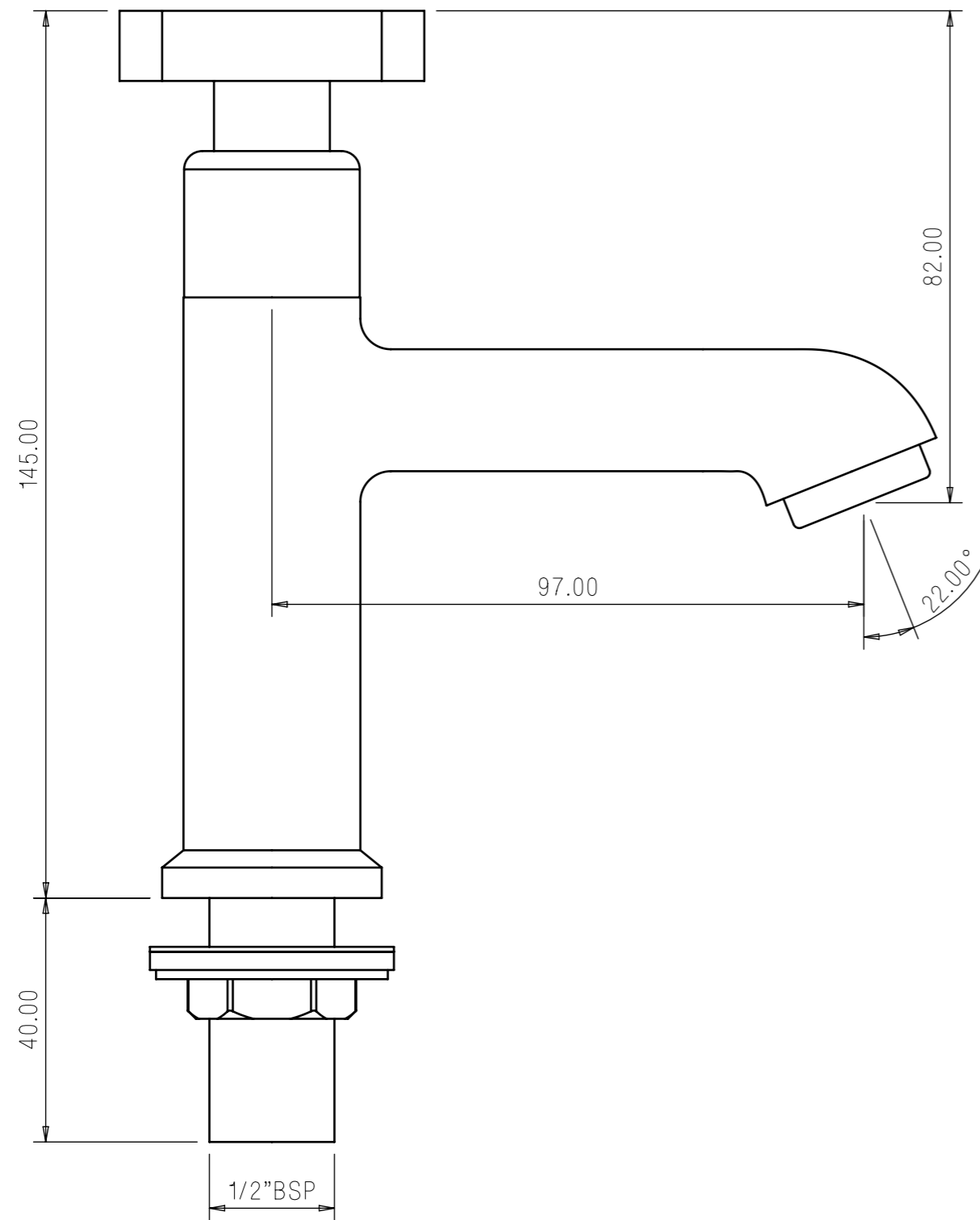
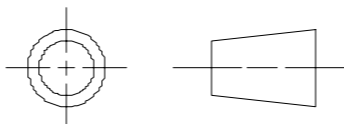


GENERAL TOLERANCE ±0.1mm UNLESS SPECIFIED



Flow Rate in LPM at			
0.5 BAR	1.0 BAR	2.0 BAR	3.0 BAR
6.00	8.00	12.00	14.00

SCALE -1:1



ALL DIMENSIONS IN MM

		PRAYAG POLYMERS (P) LTD.	
		A-1129, Phase-III, RIICO Indl.Area, Bhiwadi(Raj.)	
DRAWN BY		TITLE	
CHECKED BY		SIZE	PART NAME-
TYPE		A3	CAT NO 7404
		MATERIAL	WEIGHT

A3