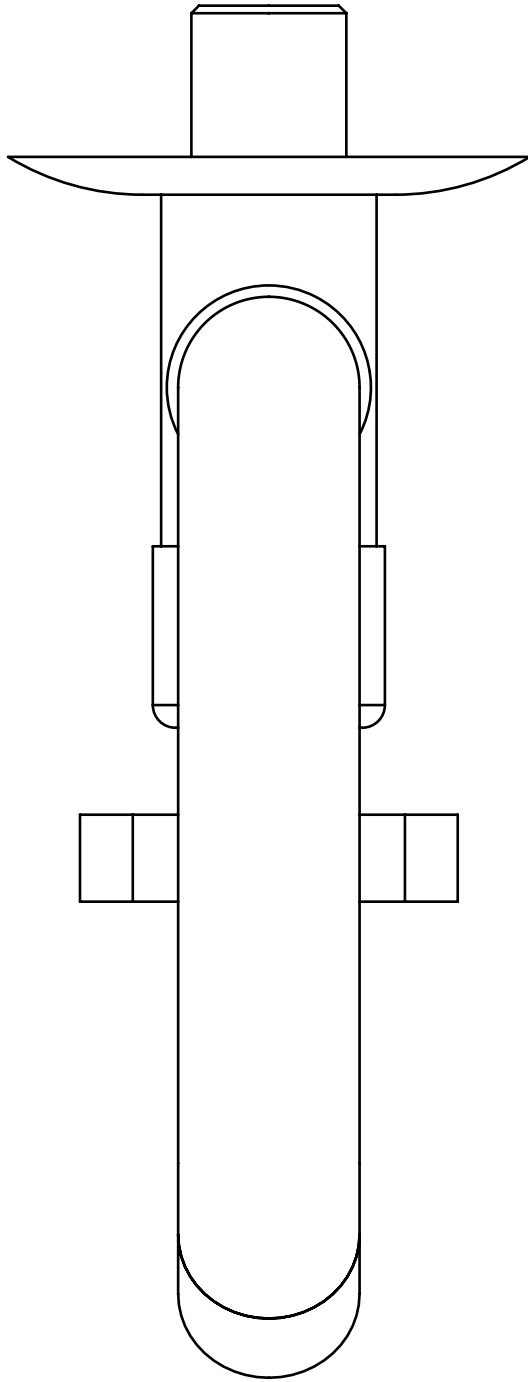
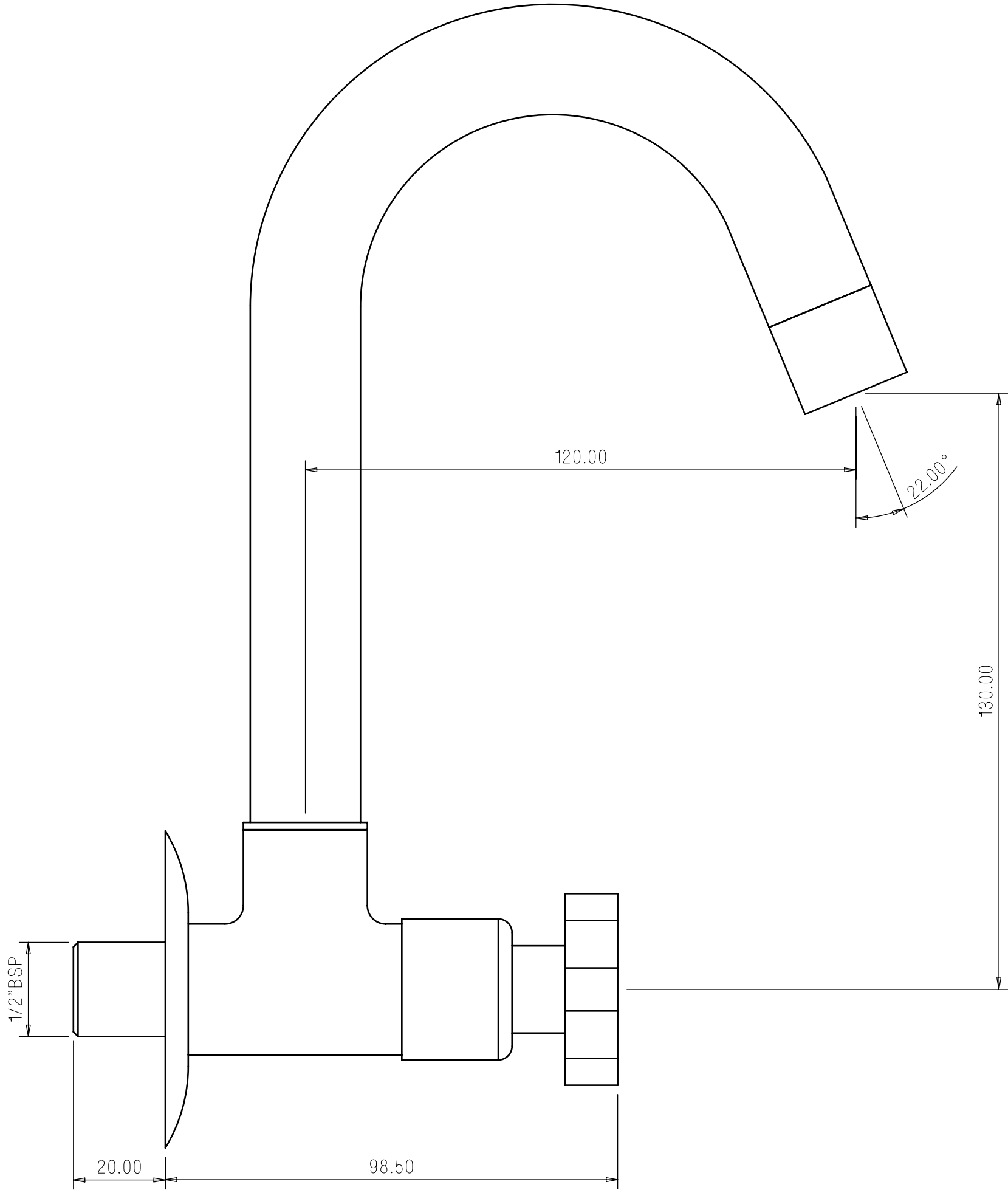
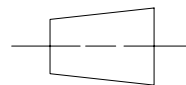
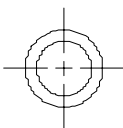


GENERAL TOLERANCE ±0.1mm UNLESS SPECIFIED



| Flow Rate in LPM at | | | |
|---------------------|---------|---------|---------|
| 0.5 BAR | 1.0 BAR | 2.0 BAR | 3.0 BAR |
| 8.00 | 11.0 | 16.0 | 21.0 |

SCALE -1:1



ALL DIMENSIONS IN MM

BATH ASSETS & SINKS
prayag
 TOUCHING LIFE. EVERYDAY

| | |
|------------|--|
| DRAWN BY | |
| CHECKED BY | |
| TYPE | |

PRAYAG POLYMERS (P) LTD.
 A-1129, Phase-III, RIICO Indl.Area, Bhiwadi(Raj.)

| | | |
|---------------|---------------|------|
| TITLE | | |
| SIZE | PART NAME- | DATE |
| 300.0 x 420.0 | CAT NO 7416 | |
| MATERIAL | WEIGHT | |
| | 360.0 x 420.0 | |