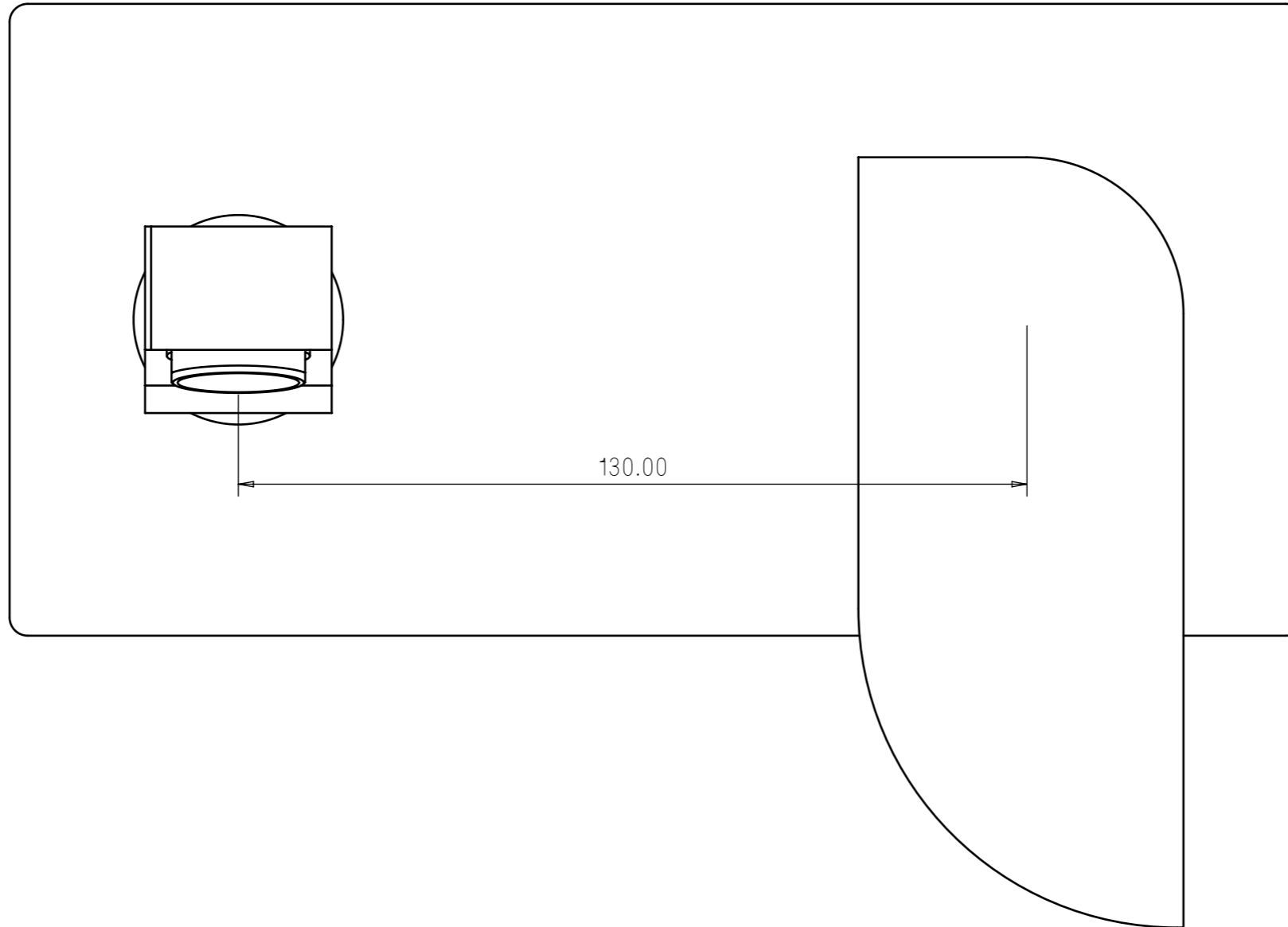
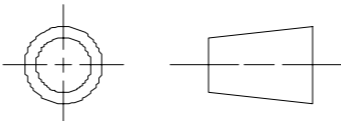


GENERAL TOLERANCE ±0.1mm UNLESS SPECIFIED




Flow Rate in LPM at			
0.5 BAR	1.0 BAR	2.0 BAR	3.0 BAR

SCALE -1:1



ALL DIMENSIONS IN MM

<small>BATH ASSETS & SINKS</small>  <small>TOUCHING LIFE, EVERYDAY</small>	
DRAWN BY	
CHECKED BY	
TYPE	

PRAYAG POLYMERS (P) LTD. A-1129, Phase-III, RIICO Indl.Area, Bhiwadi(Raj.)		
TITLE		
SIZE	PART NAME-	DATE
A3	CAT NO 7154	
MATERIAL	WEIGHT	

A3