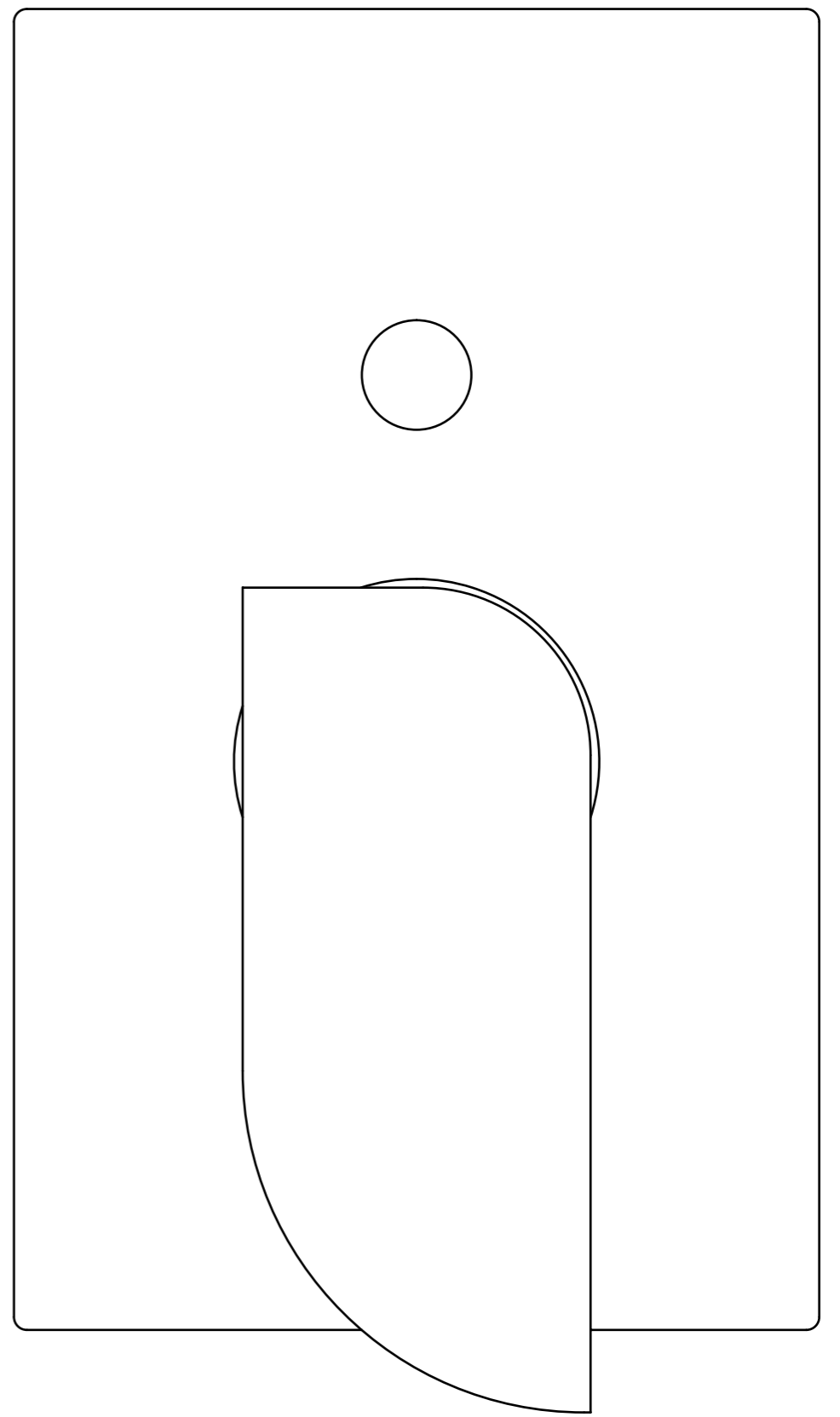
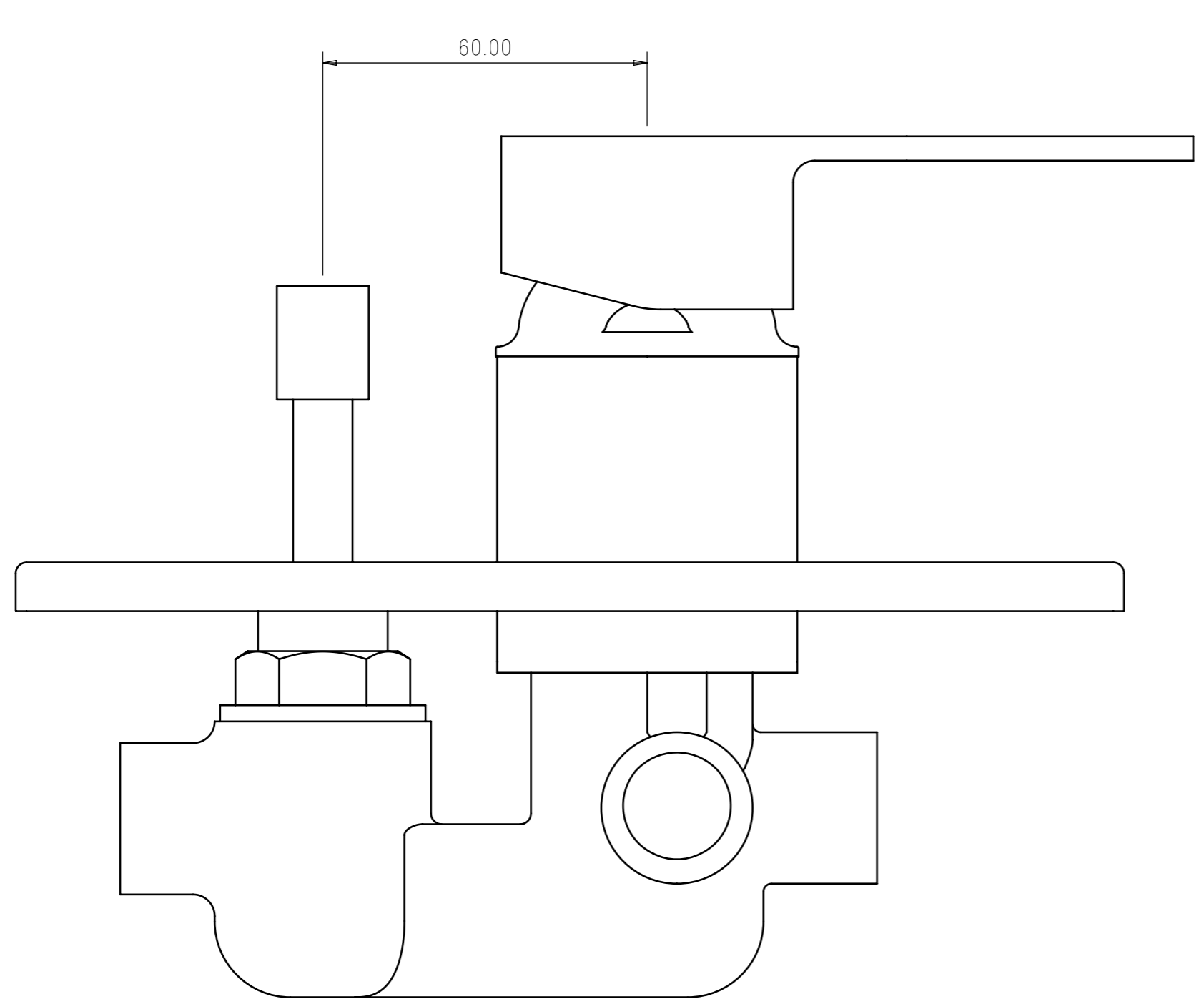
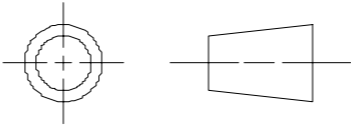


GENERAL TOLERANCE ±0.1mm UNLESS SPECIFIED



| Flow Rate in LPM at | | | |
|---------------------|---------|---------|---------|
| 0.5 BAR | 1.0 BAR | 2.0 BAR | 3.0 BAR |
| | | | |

SCALE -1:1



ALL DIMENSIONS IN MM

BATH ASSETS & SINKS
prayag
 TOUCHING LIFE, EVERYDAY

DRAWN BY
 CHECKED BY
 TYPE

PRAYAG POLYMERS (P) LTD.
 A-1129, Phase-III, RIICO Indl.Area, Bhiwadi(Raj.)

TITLE

SIZE PART NAME- DATE
 A3 CAT NO 7192

MATERIAL WEIGHT

A3