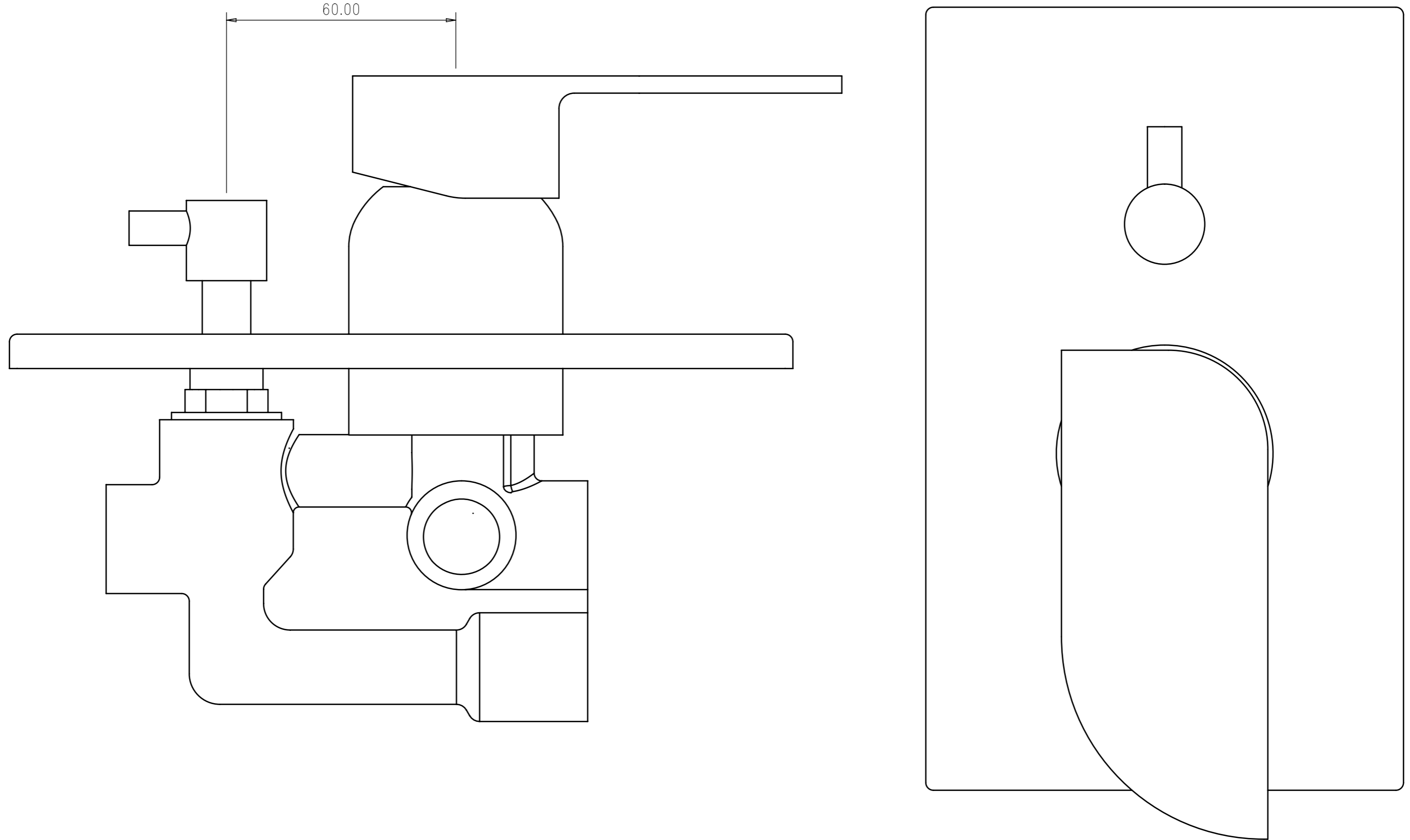


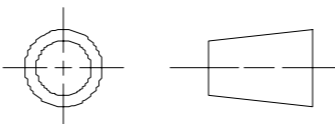
GENERAL TOLERANCE ±0.1mm UNLESS SPECIFIED

60.00



Flow Rate in LPM at			
0.5 BAR	1.0 BAR	2.0 BAR	3.0 BAR

SCALE -1:1



ALL DIMENSIONS IN MM

		PRAYAG POLYMERS (P) LTD.	
		A-1129, Phase-III, RIICO Indl.Area, Bhiwadi(Raj.)	
DRAWN BY		TITLE	
CHECKED BY		SIZE	PART NAME-
TYPE		A3	CAT NO 7193 ON OFF
MATERIAL		WEIGHT	
		DATE	

A3