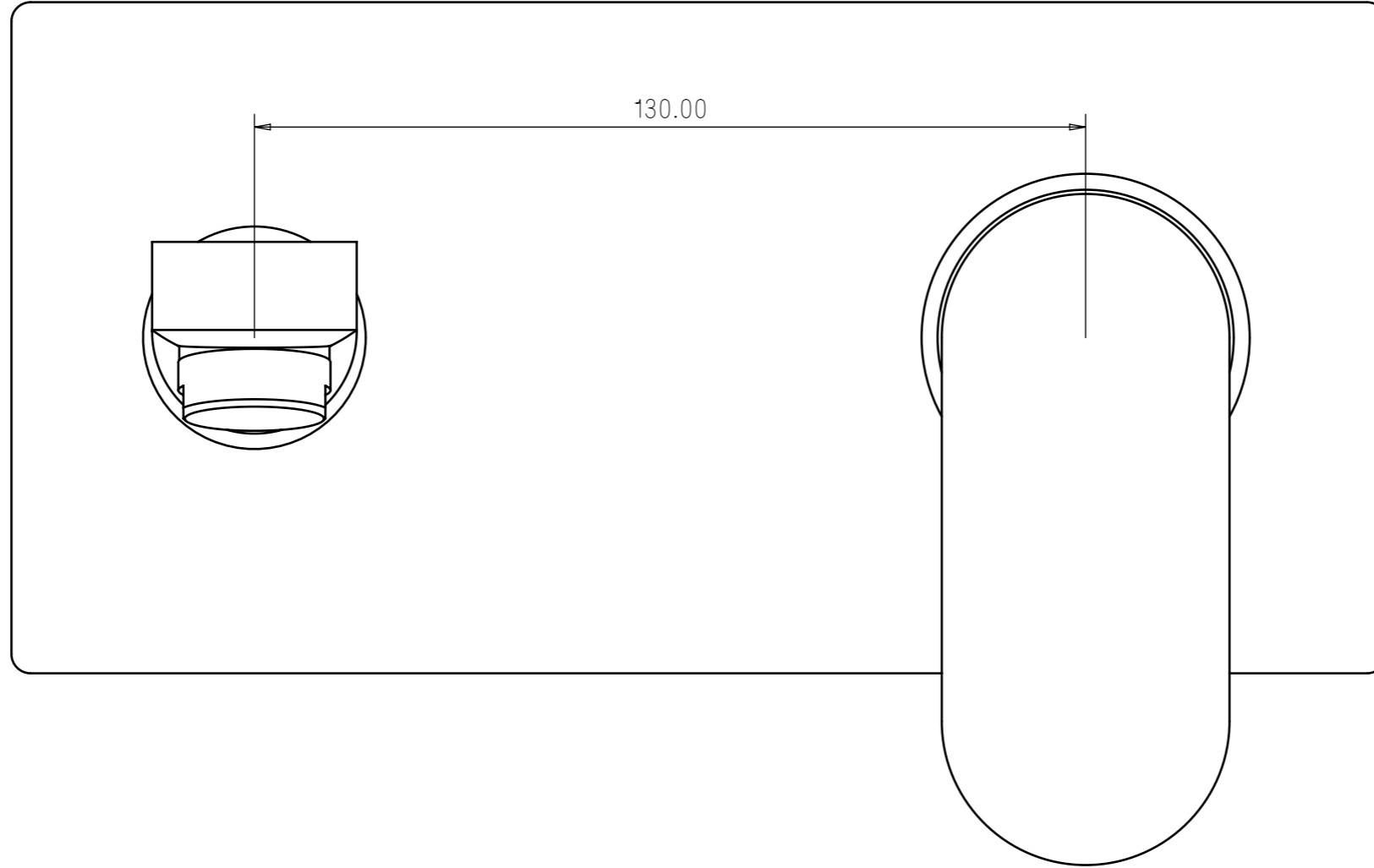


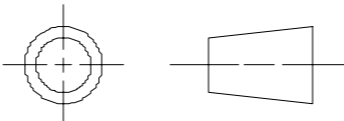
1 2 3 4 5 6 7 8

GENERAL TOLERANCE ±0.1mm UNLESS SPECIFIED




Flow Rate in LPM at			
0.5 BAR	1.0 BAR	2.0 BAR	3.0 BAR

SCALE -1:1



ALL DIMENSIONS IN MM

<small>BATH ASSETS &amp; SINKS</small>  <small>TOUCHING LIFE, EVERYDAY</small>	
DRAWN BY	
CHECKED BY	
TYPE	

<b>PRAYAG POLYMERS (P) LTD.</b> A-1129, Phase-III, RIICO Indl.Area, Bhiwadi(Raj.)		
TITLE		
SIZE	PART NAME-	DATE
A3	CAT NO 7554	
MATERIAL	WEIGHT	

1 2 3 4 5 6 7 8 A3