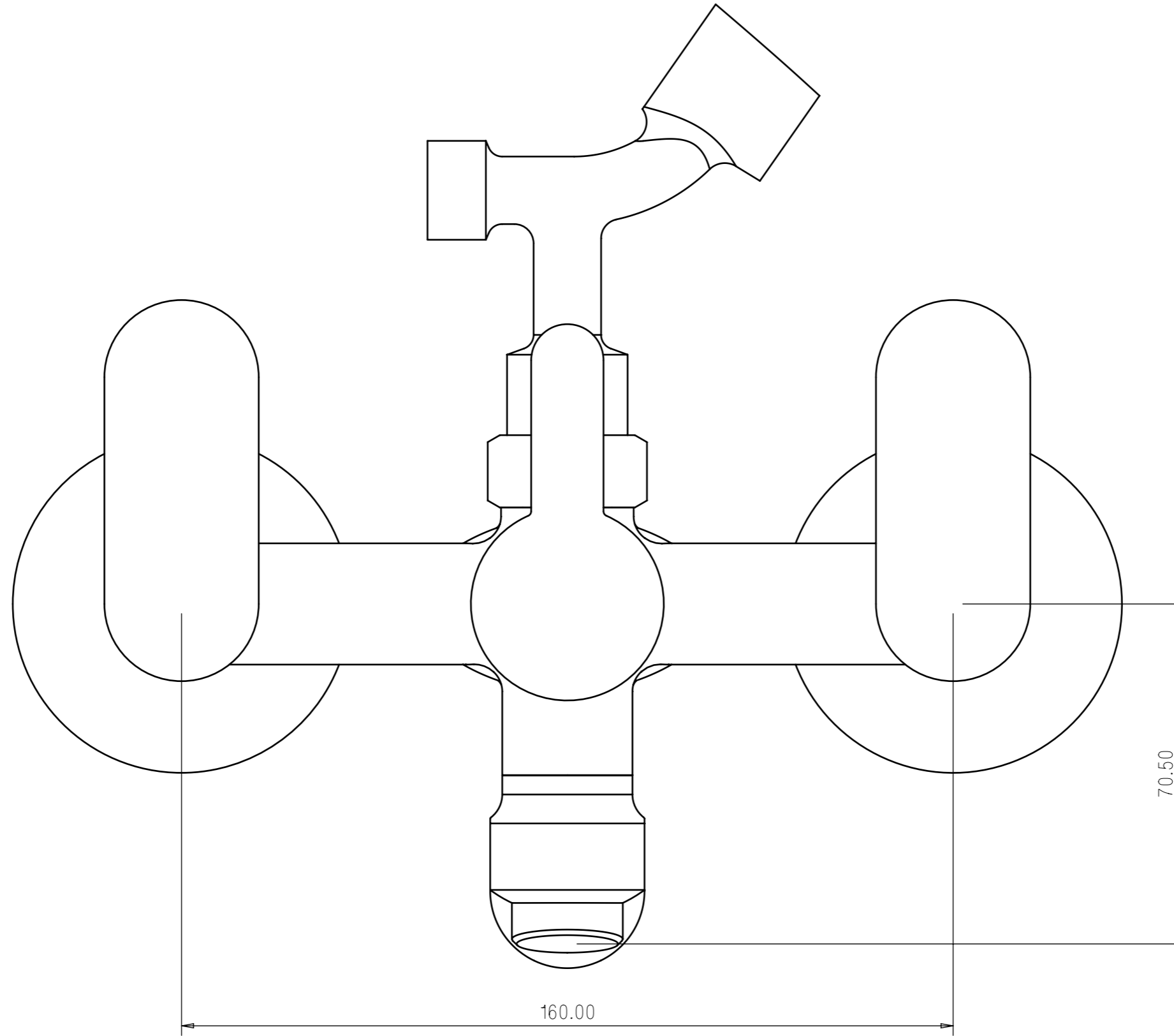
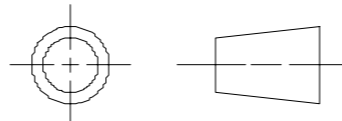


GENERAL TOLERANCE ±0.1mm UNLESS SPECIFIED



Flow Rate in LPM at			
0.5 BAR	1.0 BAR	2.0 BAR	3.0 BAR
8.00	10.0	13.7	15.7

SCALE -1:1



ALL DIMENSIONS IN MM

BATH ASSETS & SINKS
prayag
 TOUCHING LIFE, EVERYDAY

DRAWN BY	
CHECKED BY	
TYPE	

PRAYAG POLYMERS (P) LTD.
 A-1129, Phase-III, RIICO Indl.Area, Bhiwadi(Raj.)

TITLE		
SIZE	PART NAME-	DATE
A3	CAT NO 7570	
MATERIAL	WEIGHT	

A3