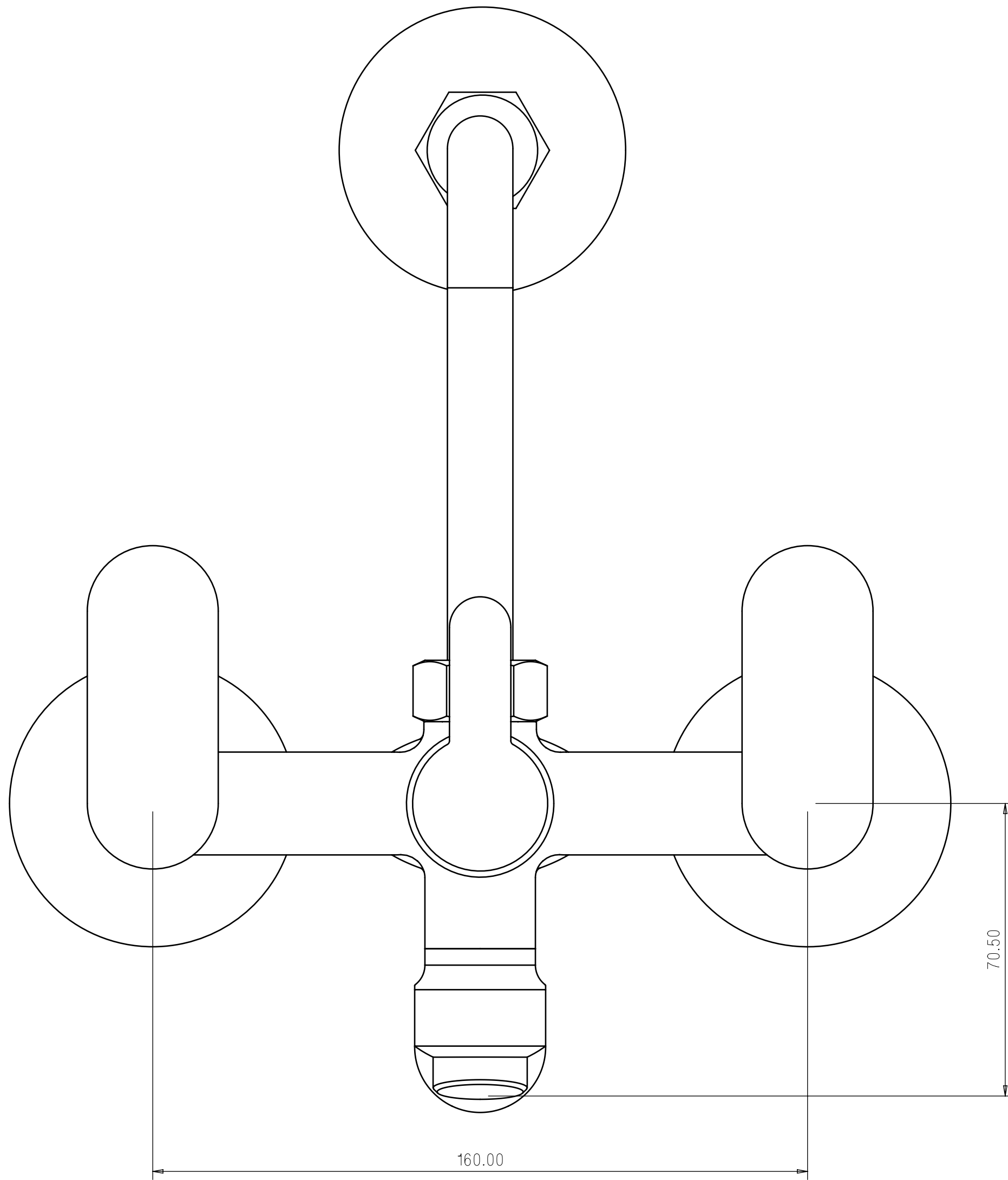
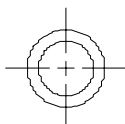


GENERAL TOLERANCE ±0.1mm UNLESS SPECIFIED



Flow Rate in LPM at			
0.5 BAR	1.0 BAR	2.0 BAR	3.0 BAR
8.00	12.0	17.0	20.0

SCALE -1:1



ALL DIMENSIONS IN MM



<small>BATH ASSETS & SINKS</small> prayag <small>TOUCHING LIFE. EVERYDAY</small>	
DRAWN BY	
CHECKED BY	
TYPE	

PRAYAG POLYMERS (P) LTD. A-1129, Phase-III, RIICO Indl.Area, Bhiwadi(Raj.)		
TITLE		
SIZE	PART NAME-	DATE
300.0 x 420.0	CAT NO 7575	
MATERIAL	WEIGHT	
	360.0 x 420.0	