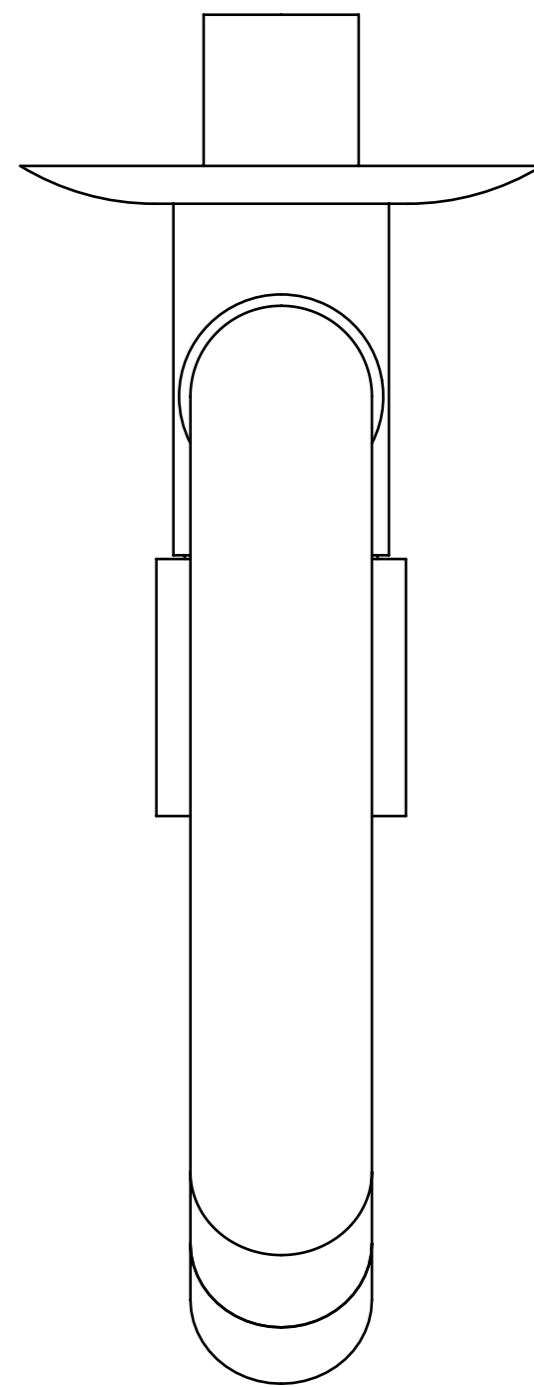
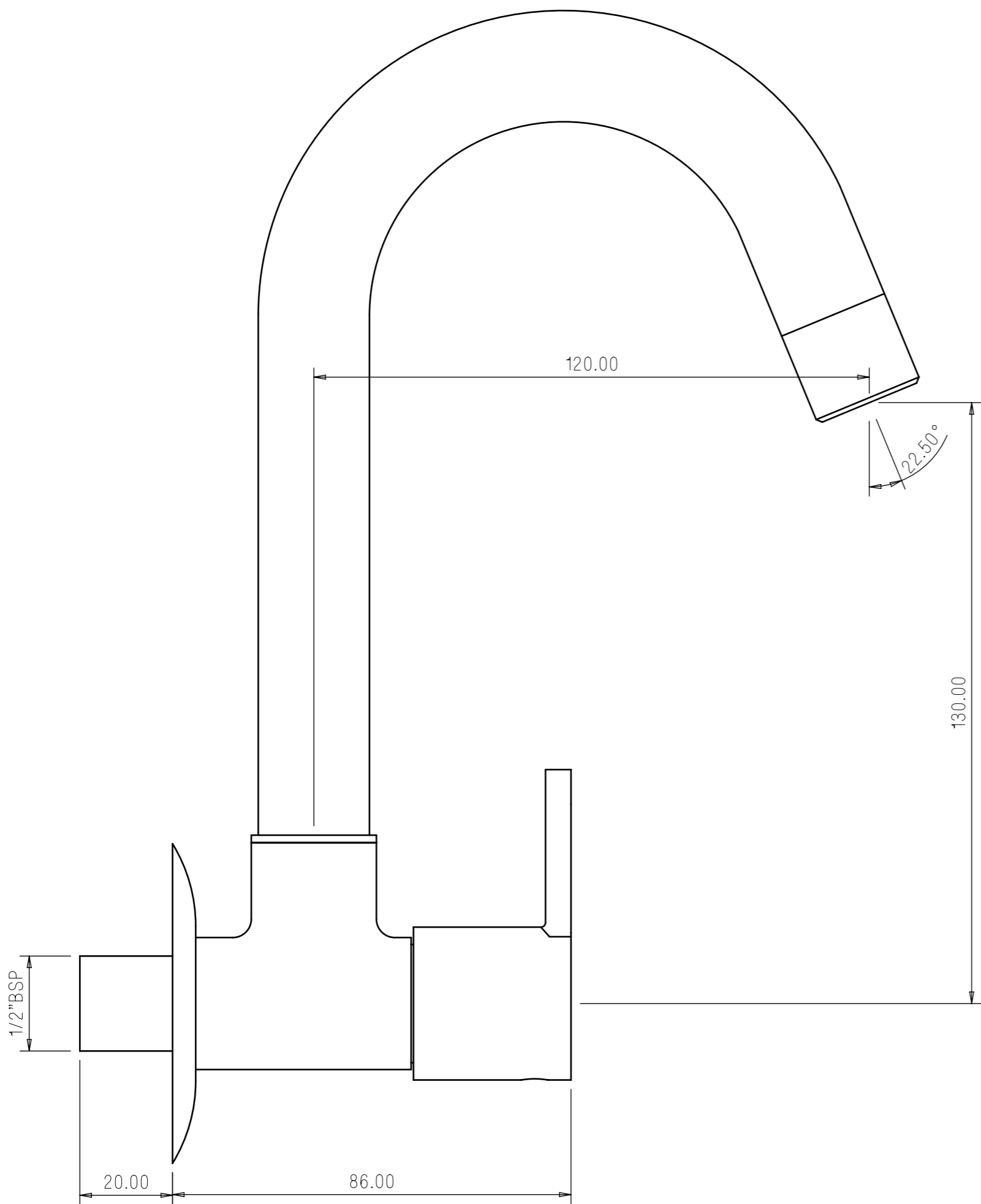
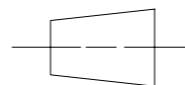
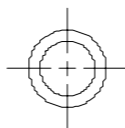


GENERAL TOLERANCE ±0.1mm UNLESS SPECIFIED



Flow Rate in LPM at			
0.5 BAR	1.0 BAR	2.0 BAR	3.0 BAR
8.000	11.0	16.0	21.0

SCALE -1:1



ALL DIMENSIONS IN MM

		PRAYAG POLYMERS (P) LTD.	
		A-1129, Phase-III, RIICO Indl.Area, Bhiwadi(Raj.)	
DRAWN BY		SIZE	DATE
CHECKED BY		350.0 x 420.0	CAT NO 7816
TYPE		MATERIAL	WEIGHT
		350.0 x 420.0	